

### 3.4> Magnetic cable connector with USB / Cable connector with USB

Product	2Pin 2.84PH Cable Connector - I	2Pin 2.84PH Cable Connector - I	2Pin 4.0PH Cable Connector - I	2Pin 4.0PH Cable Connector - I/P	2Pin 4.0PH Cable Connector - I/P	2Pin 4.0PH Cable Connector - I/P	2Pin 4.0PH Cable Connector - T/P	2Pin 4.0PH Cable Connector - I/P	2Pin 4.0PH Cable Connector - I/P
Item Code	QH0003	QH0003A	QH0001/WP	QH0001/WP/A	QH0001/WP/B	QH0001	QH00300	QH00300/A	QH00300/B
Cable									
Magnetic Part									
Mating Part									

Can be Customized with USB, TYPE-C ,Micro USB, PD100W etc.

### 3.4> Magnetic cable connector with USB / Cable connector with USB

Product	2Pin 7.6PH Cable Connector - I	3Pin 2.5PH Cable Connector - I	4Pin 2.5PH Cable Connector - I	4Pin 2.5PH Cable Connector - T	5Pin 2.5PH Cable Connector - I/P	5Pin 2.5PH Cable Connector - 4&1	2Pin 4.0PH 1to2 Cable Connector
Item Code	QH0043	QH0041	QH0002	QH0131	QH0302	QH00301	QH0001/1TO2
Cable							
Magnetic Part							
Mating Part							

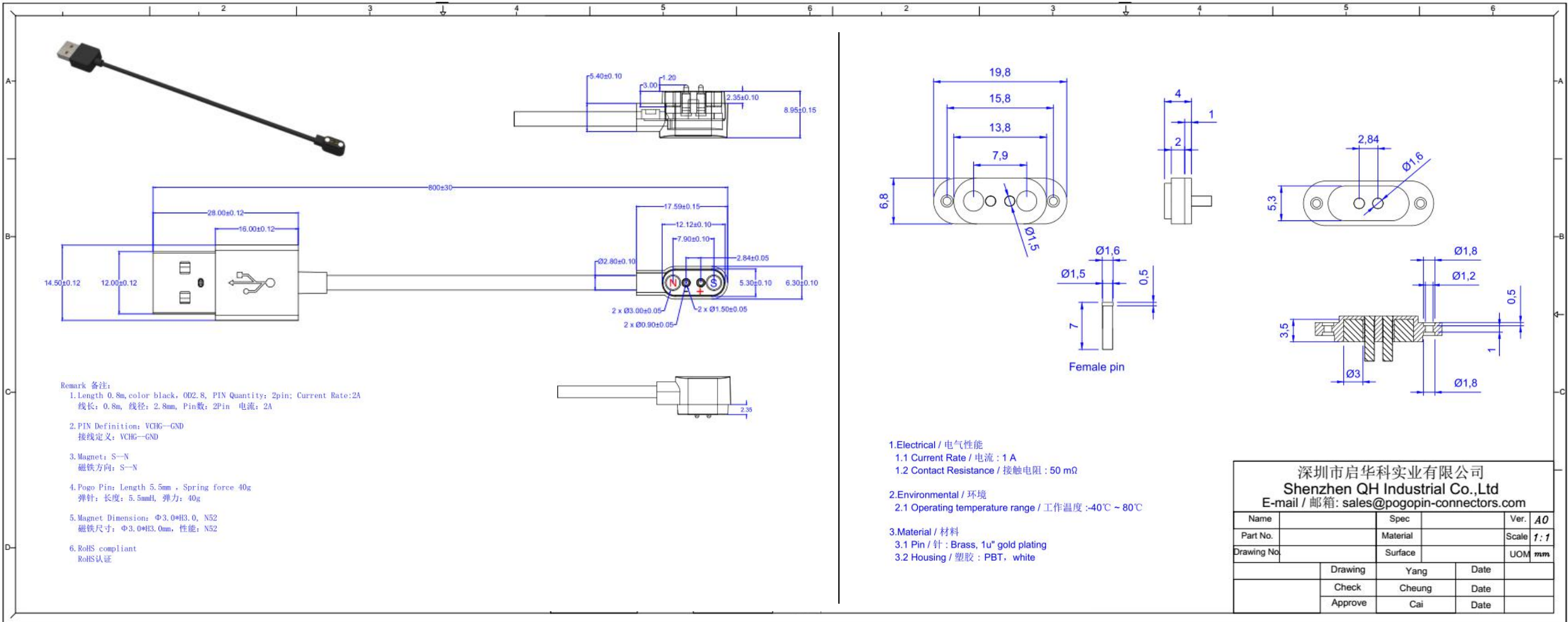
Can be Customized with USB, TYPE-C ,Micro USB, PD100W etc.

### 3.4> Cable connector with USB / Magnetic cable connector with USB

Product		2Pin Round Cable Connector - 1	2Pin Round Cable Connector - 2	2Pin Round Cable Connector - 3	3Pin 1.6 PH Cable Connector-RW	4Pin 2.54PH Cable Connector - RW	4Pin 2.54PH Cable Connector - RW	5Pin 2.54PH Cable Connector - RW	7Pin 1.6PH Cable Connector - RW1	7Pin 1.6PH Cable Connector - RW2
Item Code		QH-C-Rou-001	QH-C-Rou-002	QH-C-Rou-003	QH-C-RW-003	QH-C-RW-004	QH-C-RW-004/A	QH-C-RW-005	QH-C-RW-007.1	QH-C-RW-007.2
Charge Cable	Cable-Two Ends									
	Magnetic Part									
Mating Part (on device)	Straight Pin									
	Right Angle Pin									
	with PCB									

### 3.4> Cable connector with USB / Magnetic cable connector with USB

QH0003



### 3.4> Cable connector with USB / Magnetic cable connector with USB

QH0001/WP

1. Electrical / 电气性能  
 1.1 Current Rate / 电流 : 2 A  
 1.2 Contact Resistance / 接触电阻 : 50 mΩ

2. Environmental / 环境  
 2.1 Operating temperature range / 工作温度 : -40°C ~ 80°C

3. Mechanical / 机械性能  
 3.1 Spring Force / 弹力 : 30 ± 5gf  
 3.2 Working stroke / 行程 : 1.2 mm  
 3.3 Durability / 耐久性 : 10,000 cycles

4. Material / 材料  
 4.1 Plunger / 针头 : Brass, 3u" gold plating  
 4.2 Barrel / 针管 : Brass, 3u" gold plating  
 4.3 Spring / 弹簧 : SUS304  
 4.4 Magnet / 磁铁 : NdFeB

5. QH0102 Magnetic Cable connector: Cable 0.6m, Black 黑色, Ø02.8mm, PIN: 2Pin

6. Magnet Dimension: Ø3.5\*1.5, N52

1. Electrical / 电气性能  
 1.1 Current Rate / 电流 : 1 A  
 1.2 Contact Resistance / 接触电阻 : 50 mΩ

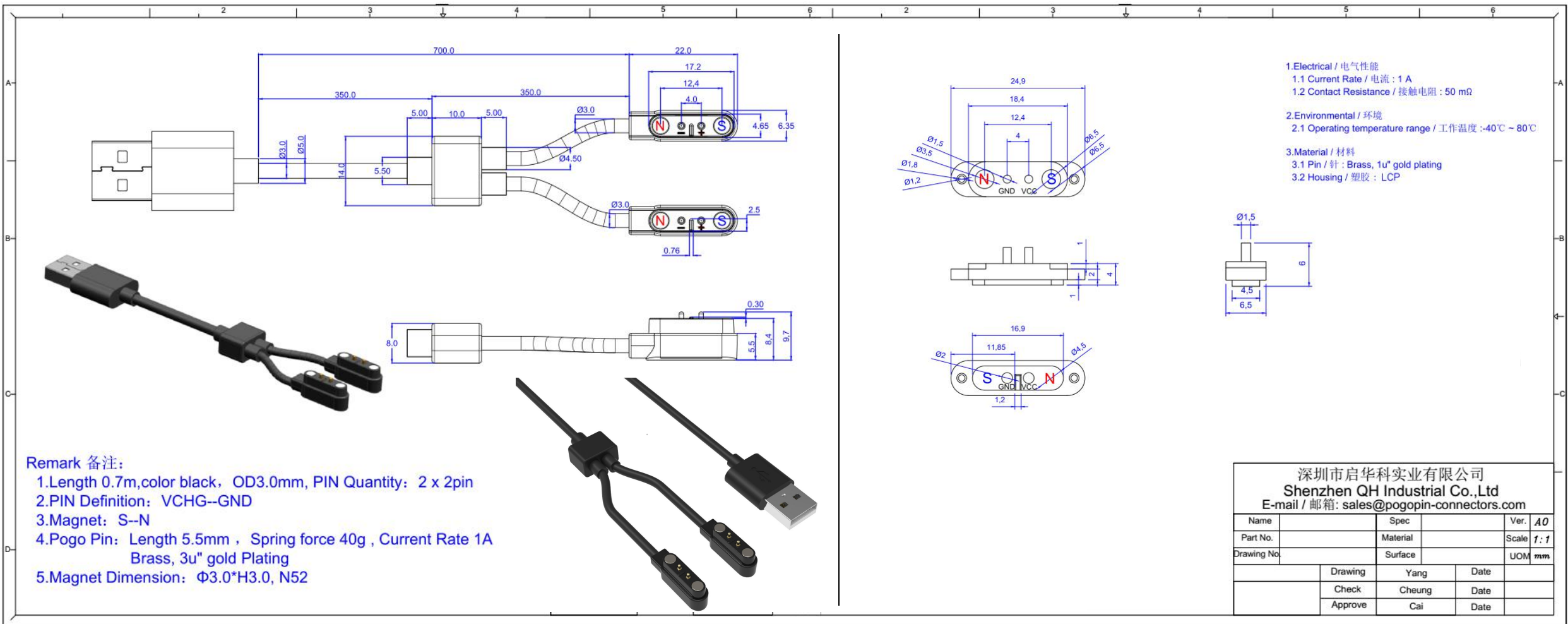
2. Environmental / 环境  
 2.1 Operating temperature range / 工作温度 : -40°C ~ 80°C

3. Material / 材料  
 3.1 Pin / 针 : Brass, 1u" gold plating  
 3.2 Housing / 塑胶 : LCP

深圳市启华科实业有限公司			
Shenzhen QH Industrial Co.,Ltd			
E-mail / 邮箱: sales@pogopin-connectors.com			
Name	Spec	Ver.	A0
Part No.	Material	Scale	1:1
Drawing No.	Surface	UOM	mm
	Drawing	Yang	Date
	Check	Cheung	Date
	Approve	Cai	Date

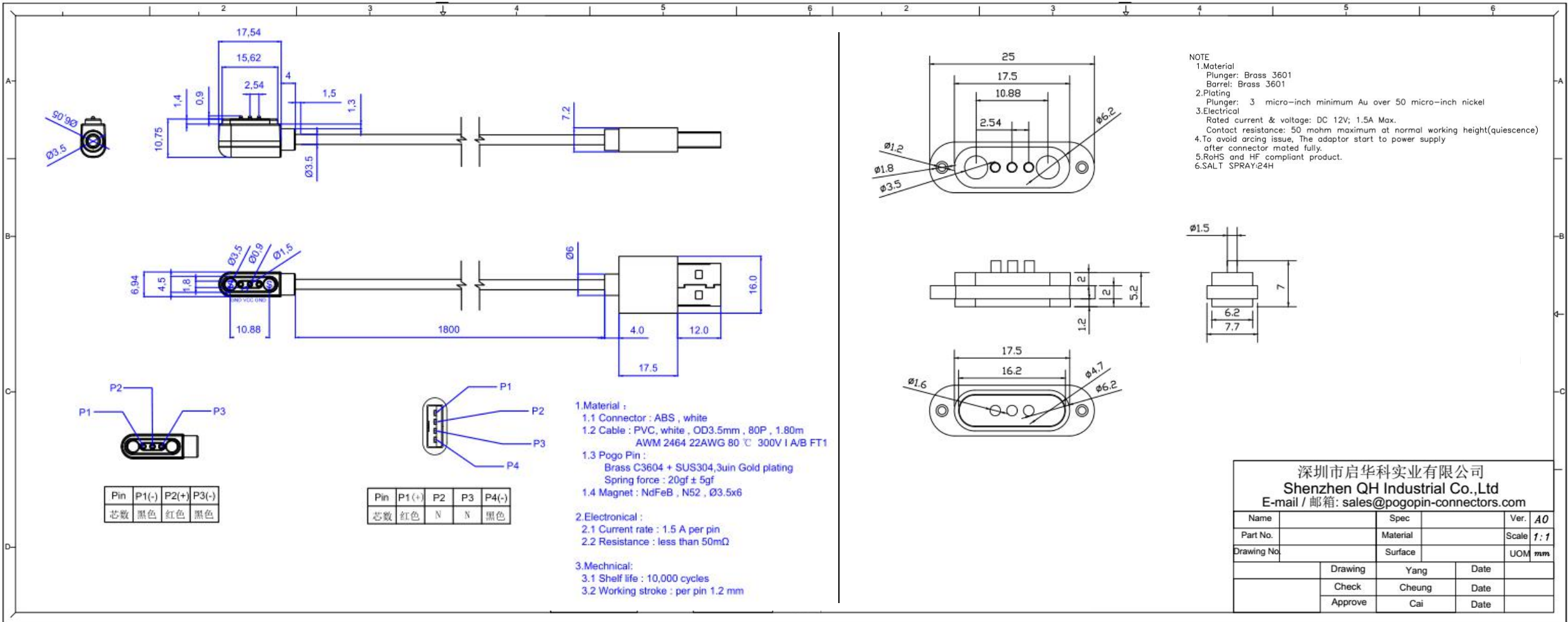
### 3.4> Cable connector with USB / Magnetic cable connector with USB

QH0001/WP



### 3.4> Cable connector with USB / Magnetic cable connector with USB

QH0041



### 3.4> Cable connector with USB / Magnetic cable connector with USB

QH0002

1. Electrical / 电气性能  
 1.1 Current Rate / 电流 : 2 A  
 1.2 Contact Resistance / 接触电阻 : 50 mΩ  
 1.3 Voltage / 电压 : 5V

2. Environmental / 环境  
 2.1 Operating temperature range / 工作温度 : -10°C ~ 50°C

3. Material / 材料  
 3.1 Pogo Pin / 弹针 :  
 3.1.1 Plunger / 针头 : Brass C3604, 5u" gold Plating  
 3.1.2 Barrel / 针管 : Brass C3604, 5u" gold Plating  
 3.1.3 Spring / 弹簧 : SUS304  
 3.2 Housing / 塑胶 : PC/ABS  
 3.3 Jacket / 外皮 : PVC  
 3.4 Magnet / 磁铁 : NdFeB

4. QH磁性数据表: 26#\*2P+28#\*2P, JACKET/外皮: PVC Black(PVC 黑色)  
 OD/外径: 2.8mm, Cable/线长: 60cm

5. PIN角定义: N(北极) GND--DP--DM--VCHG S(南极)

6. 磁铁极性: N(北极)—S(南极)

7. 磁铁大小: 圆柱3.5\*4.5, 性能 N52

剖视图 A-A

1. Electrical / 性能  
 1.1 Current Rate / 电流 : 1 A  
 1.2 Contact Resistance / 接触电阻 : 50 mΩ

2. Environmental / 环境  
 2.1 Operating temperature range / 工作温度 : -40°C ~ 80°C

3. Material / 材料  
 3.1 Plunger / 针头 : Brass, 1u" gold plating  
 3.2 Magnet / 磁铁 : NdFeB  
 3.3 Housing / 塑胶 : LCP, Color / 颜色 : Black / 黑色

深圳市启华科实业有限公司  
 Shenzhen QH Industrial Co.,Ltd  
 E-mail / 邮箱: sales@pogopin-connectors.com

Name	Spec	Ver.	A0
Part No.	Material	Scale	1:1
Drawing No.	Surface	UOM	mm
Drawing	Yang	Date	
Check	Cheung	Date	
Approve	Cai	Date	



### 3.4> Cable connector with USB / Magnetic cable connector with USB

QH0302

**1.Electrical / 电气性能**  
 1.1 Current Rate / 电流: 2 A  
 1.2 Contact Resistance / 接触电阻: 50 mΩ

**2.Environmental / 环境**  
 2.1 Operating temperature range / 工作温度: -10℃ ~ 50℃

**3.Mechanical / 机械性能**  
 3.1 Spring force / 弹力: 40 gf+/-10gf  
 3.2 Working stroke / 行程: 0.6 mm  
 3.3 Service life / 使用寿命: 10,000 cycles

**4.Material / 材料**  
 4.1 Plunger / 针头: Brass C3604, 3u" gold plating  
 4.2 Barrel / 针管: Brass C3604, 3u" gold plating  
 4.3 Spring / 弹簧: SUS304  
 4.4 Housing / 塑胶: PC/ABS  
 4.5 Cable / 线: PVC  
 4.6 Magnet / 磁铁: NdFeB

**5.QH Magnetic Cable**: Length 0.6m, Color Black, Ø0.3, PIN Quantity: 5pin

**6.PIN Definition**: VCHG --- D- --- D+ --- X --- GND

**7.Magnet**: S(南极) --- N (北极)

**8.Pogo pin Length**: 5.5mm

**9.Magnet Dimension**: Ø3.5\*3.5, N52

**10.USB 类型**: 外壳

**1.Electrical / 电气性能**  
 1.1 Current Rate / 电流: 1 A  
 1.2 Contact Resistance / 接触电阻: 50 mΩ  
 1.3 Voltage / 电压: 12V

**2.Environmental / 环境**  
 2.1 Operating temperature range / 工作温度: -40℃ ~ 80℃

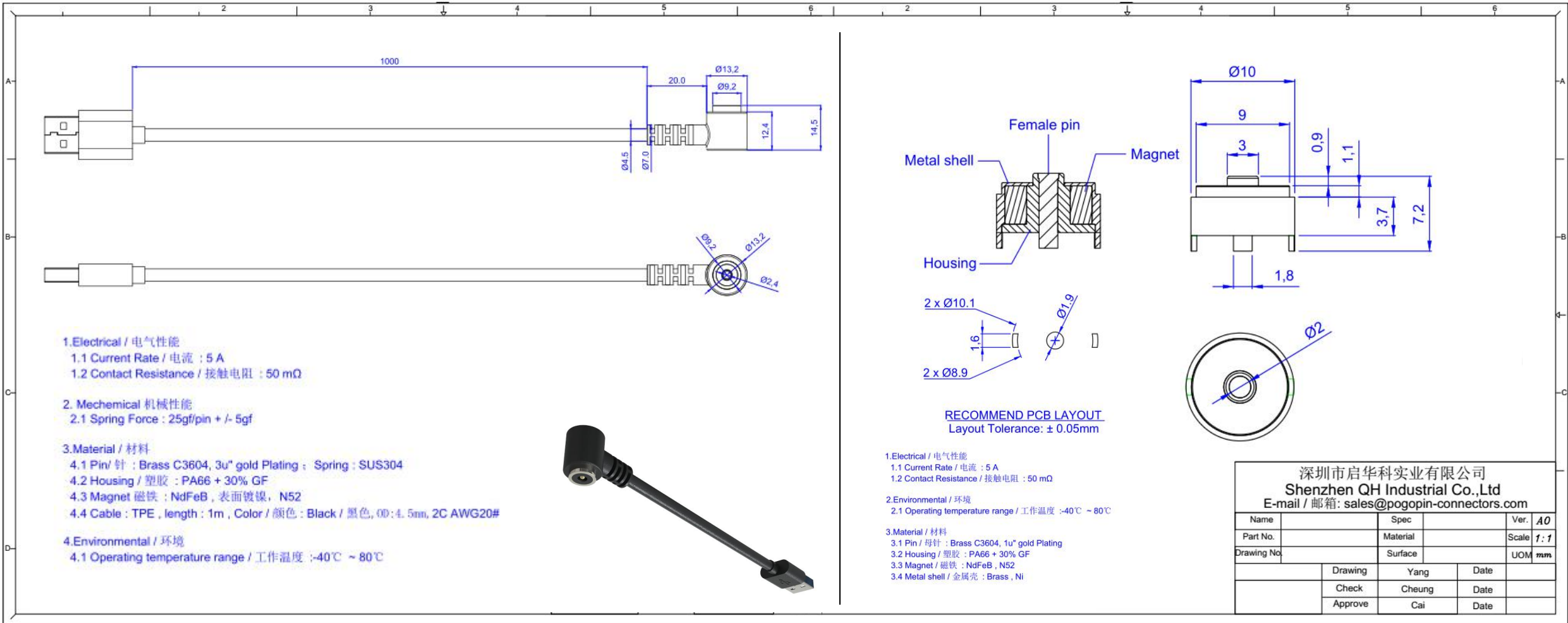
**3.Material / 材料**  
 3.1 Pin / 针: Brass C3604, 1u" gold Plating  
 3.2 Magnet / 磁铁: NdFeB, N52, Ni Plating  
 3.3 Housing / 塑胶: LCP

深圳市启华科实业有限公司  
 Shenzhen QH Industrial Co.,Ltd  
 E-mail / 邮箱: sales@pogopin-connectors.com

Name	Spec	Ver.	A0
Part No.	Material	Scale	1:1
Drawing No.	Surface	UOM	mm
	Drawing	Yang	Date
	Check	Cheung	Date
	Approve	Cai	Date

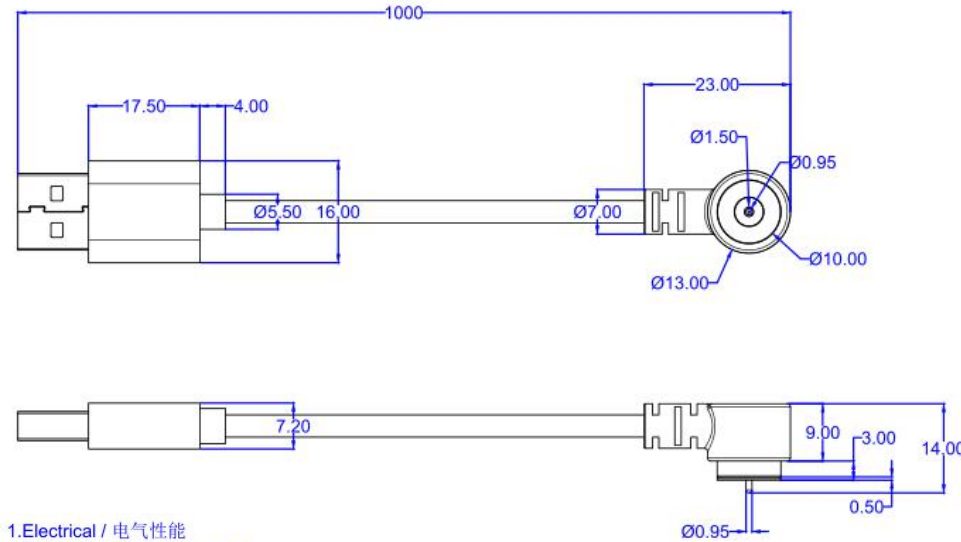
### 3.4> Cable connector with USB / Magnetic cable connector with USB

QH-C-Rou-001

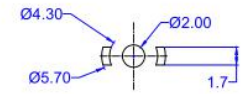
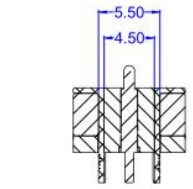
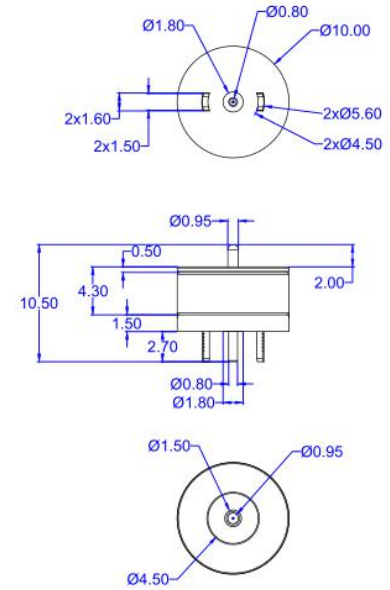
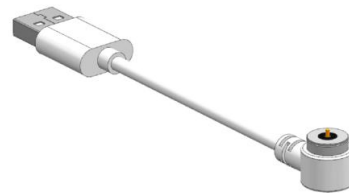


### 3.4> Cable connector with USB / Magnetic cable connector with USB

QH-C-Rou-002

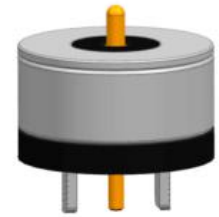


1. Electrical / 电气性能
- 1.1 Current Rate / 电流 : 1 A
2. Material / 材料
- 2.1 Pogo pin
    - 2.1.1 Plunger / 针头 : Brass C3604, 3u" gold Plating
    - 2.1.2 Barrel / 针管 : Brass C3604, 3u" gold Plating
    - 2.1.3 Spring / 弹簧 : SUS304
  - 2.2 Housing / 塑胶 : PA46 + 30%GF
  - 2.3 Magnet / 磁铁 : NdFeB
  - 2.4 Metal Shell / 金属壳 : Brass C3604, Ni
3. Mechanical / 机械性能
- 3.1 Working Stroke / 行程 : 1.5 mm
  - 3.2 Durability / 耐久性 : 10,000 cycles
  - 3.3 Spring force / 弹力 : 110 ± 20% gf



RECOMMEND PCB LAYOUT  
Layout Tolerance: ± 0.05mm

1. Electrical / 电气性能
- 1.1 Current Rate / 电流 : 2 A
  - 1.2 Contact Resistance / 接触电阻 : 50 mΩ
2. Material / 材料
- 2.1 Pogo pin
    - 2.1.1 Plunger / 针头 : Brass C3604, 3u" gold Plating
    - 2.1.2 Barrel / 针管 : Brass C3604, 3u" gold Plating
    - 2.1.3 Spring / 弹簧 : SUS304
  - 2.2 Housing / 塑胶 : PA46 + 30%GF
  - 2.3 Magnet / 磁铁 : NdFeB
  - 2.4 Metal Shell / 金属壳 : Brass C3604, Ni
3. Mechanical / 机械性能
- 3.1 Working Stroke / 行程 : 1.5 mm
  - 3.2 Durability / 耐久性 : 10,000 cycles
  - 3.3 Spring force / 弹力 : 50 ± 15% gf

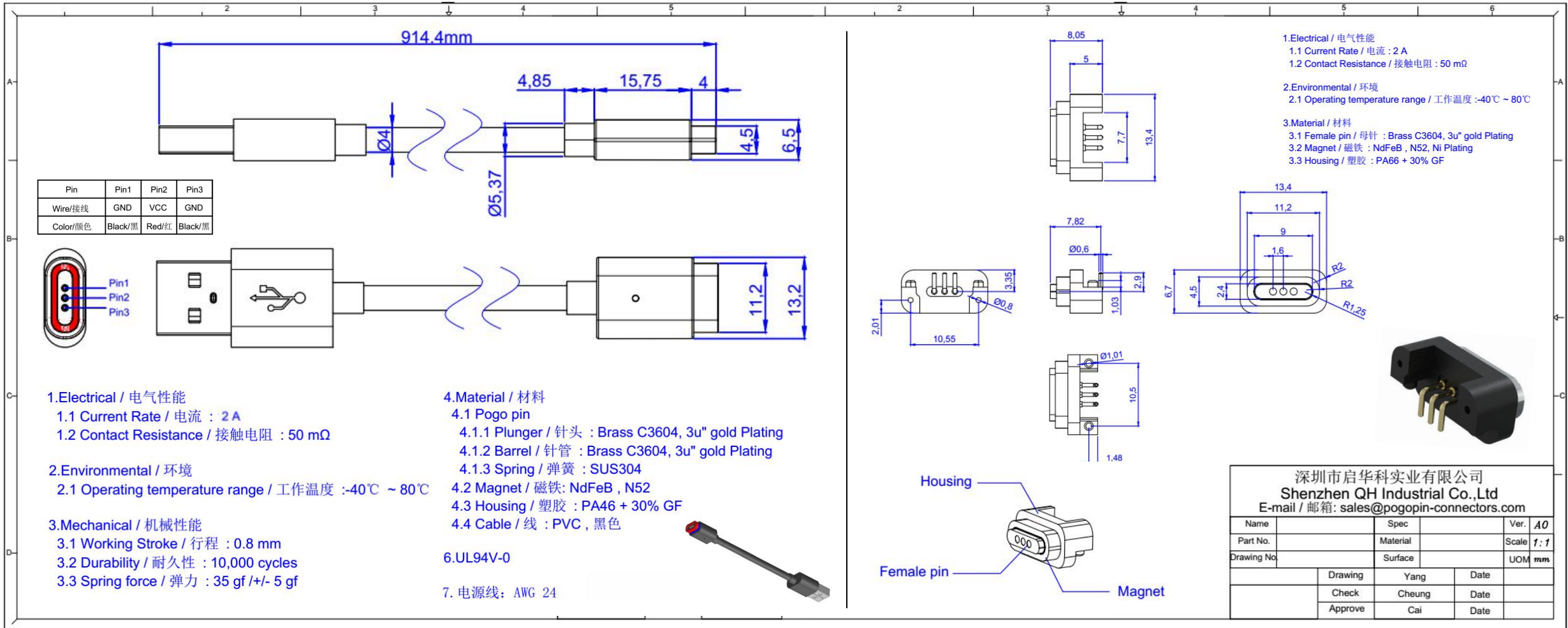


深圳市启华科实业有限公司  
Shenzhen QH Industrial Co.,Ltd  
E-mail / 邮箱: sales@pogopin-connectors.com

Name		Spec		Ver.	A0
Part No.		Material		Scale	1:1
Drawing No.		Surface		UOM	mm
	Drawing	Yang	Date		
	Check	Cheung	Date		
	Approve	Cai	Date		

### 3.4> Cable connector with USB / Magnetic cable connector with USB

QH-C-RW-003





### 3.4> Cable connector with USB / Magnetic cable connector with USB

QH-C-RW-007.1

**1. Electrical / 电气性能**  
 1.1 Current Rate / 电流 : 1 A  
 1.2 Contact Resistance / 接触电阻 : 50 mΩ

**2. Environmental / 环境**  
 2.1 Operating temperature range / 工作温度 : -40°C ~ 80°C

**3. Mechanical / 机械性能**  
 3.1 Working Stroke / 行程 : 0.8 mm & 0.7 mm  
 3.2 Durability / 耐久性 : 10,000 cycles  
 3.3 Spring force / 弹力 : 35 gf +/- 5 gf

Pin	Pin1	Pin2	Pin3	Pin4	Pin5	Pin6	Pin7
Wire/接线	GND	D-	D+	VCC	D+	D-	GND
Color/颜色	Black/黑	Green/绿	White/白	Red/红	White/白	Green/绿	Black/黑

**4. Material / 材料**  
 4.1 Pogo pin  
 4.1.1 Plunger / 针头 : Brass C3604, 1u" gold Plating  
 4.1.2 Barrel / 针管 : Brass C3604, 1u" gold Plating  
 4.1.3 Spring / 弹簧 : SUS304  
 4.2 Magnet / 磁铁: NdFeB , N52  
 4.3 Housing / 塑胶 : PA46 + 30% glass  
 4.4 Cable / 线 : PVC

**1. Electrical / 电气性能**  
 1.1 Current Rate / 电流 : 2 A  
 1.2 Contact Resistance / 接触电阻 : 50 mΩ

**2. Environmental / 环境**  
 2.1 Operating temperature range / 工作温度 : -40°C ~ 80°C

**3. Material / 材料**  
 3.1 Female pin / 母针 : Brass C3604, 50u" gold Plating  
 3.2 Magnet / 磁铁 : NdFeB , N52  
 3.3 Housing / 塑胶 : PA46 + 30% glass

深圳市启华科实业有限公司  
 Shenzhen QH Industrial Co.,Ltd  
 E-mail / 邮箱: sales@pogopin-connectors.com

Name	Spec	Ver.	A0
Part No.	Material	Scale	1:1
Drawing No.	Surface	UOM	mm
Drawing	Yang	Date	
Check	Cheung	Date	
Approve	Cai	Date	

### 3.4> Cable connector with USB / Magnetic cable connector with USB

Connectors / Plugs		+	Cable	+	Magnetic connector	+	Mating connector (to be inserted into the device)
			2 wires/ 3wires/ 4wires ...				
			Spring cable/No spring				
			1 cable to 2 / 3 / 4 etc				
			Flat cable				
			Various colors				
	.....		.....		.....		.....

QH can offer customized solutions , customers send us requirements on connectors/plugs + cable + magnetic connector + mating connector, then we can offer the potential solutions for you